

# Classic Collection

Woodbridge Gas Fireplaces



DV36CV

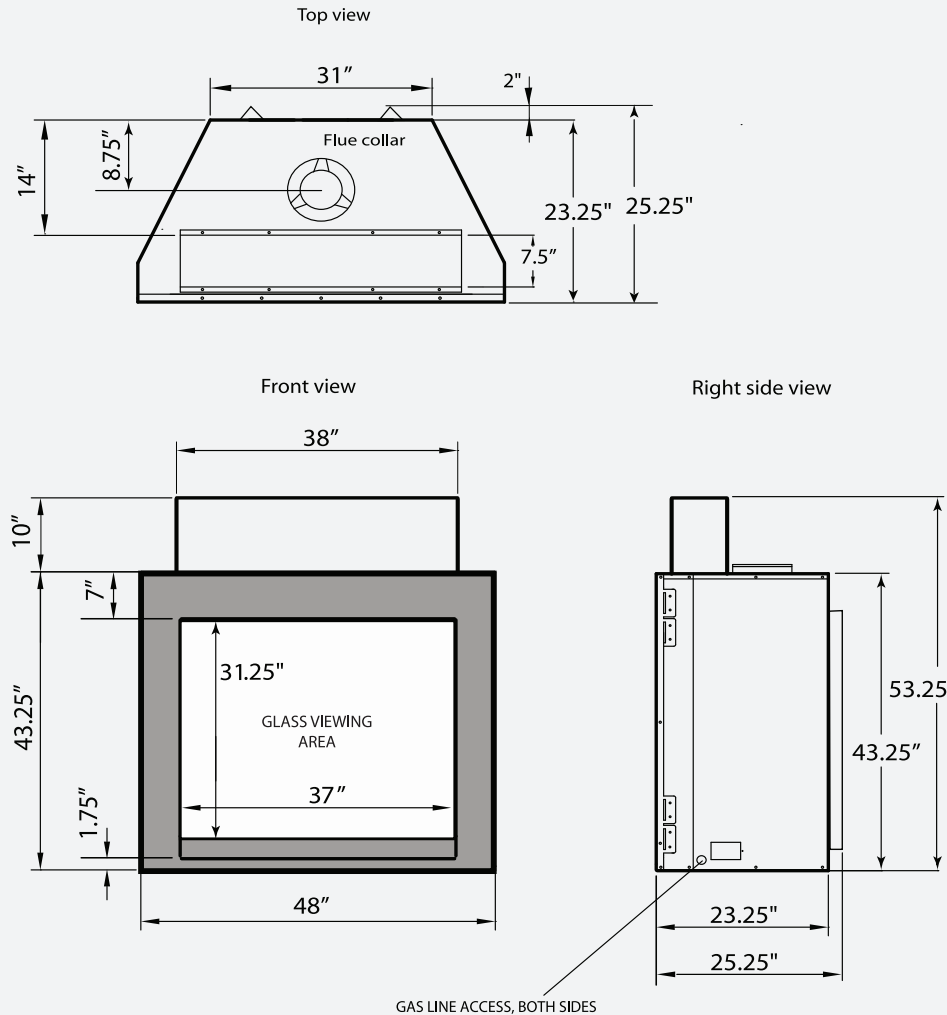


# Classic Collection

## Woodbridge Gas Fireplaces



# Direct Vent Gas Fireplace



### Standard features:

- \* Impressive 31"(H) x 37"(W) viewing area to co-ordinate with larger rooms.
- \* Clean face construction for a frameless presentation.
- \* Electronic ignition with battery back-up.
- \* LCD remote control with thermostat and flame height control.
- \* Realistic 10 pc. hand-detailed log set.
- \* Glowing ember burner media.
- \* Herringbone brick panels.
- \* Ceramic glass front with safety screen.
- \* Operates without electricity to provide heat during a power failure.
- \* Stainless steel flex connector and gas shut-off valve.
- \* Burner and heavy gauge welded firebox are covered by Lifetime Warranty.

### Options:

- \* Standing Pilot System with ON/OFF and Timer Remote Control



Gas Input Rate ..... 32,000 - 46,500 Btu/h (NG)

36,000 - 46,500 Btu/h (LP)

EnerGuide FE Rating .... 50.70% (NG)

55.66% (LP)

Efficiency (Flue Loss) ..... up to 70%

