

# Gas Insert Collection

Woodbridge Gas Fireplaces



DVI 750





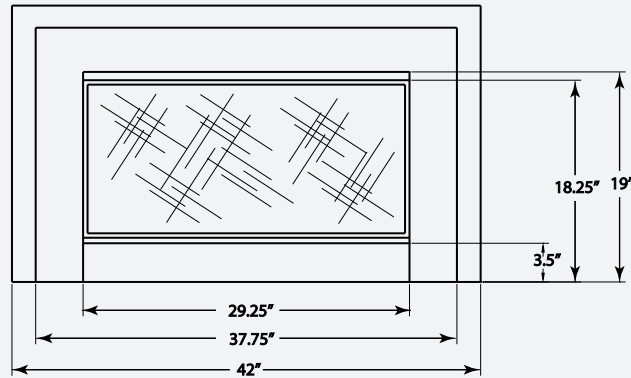
# Gas Insert Collection

## Woodbridge Gas Fireplaces

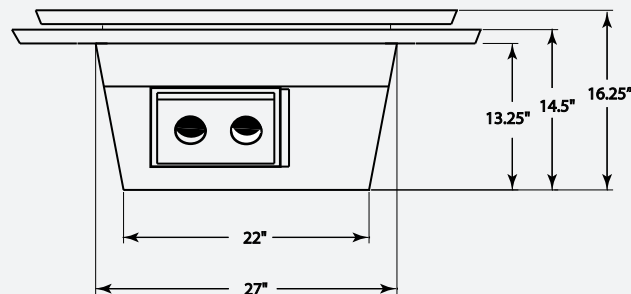


# DVI 750 Gas Insert

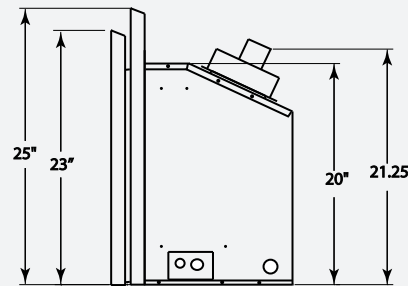
Front view



Top view



Right side view



Standard trim



4-sided trim

### Standard features:

- \* Classic style fireplace insert in satin black finish.
- \* Safety and convenience of a direct vent gas heater.
- \* Durable ceramic glass viewing area.
- \* Burner and Heavy gauge welded firebox are covered by Lifetime Warranty.
- \* Battery powered pilot ignitor and ON/OFF remote control with timer for easy operation.
- \* Works without electricity providing heat during power failure.
- \* Extremely realistic 7 pc. glowing log set with ember bed.
- \* Stainless steel flex connector and gas shut-off valve.
- \* Variable gas valve control of flame height.
- \* 130 C.F.M. Thermostat activated blower.
- \* Certified Safety Screen.

### Optional features:

- \* Natural Gas or Propane/LP model.
- \* Ceramic fiber brick liner or enamelled panels.
- \* Touch screen remote control or wall thermostat.
- \* Electronic Ignition System with thermostat remote control and flame modulation.
- \* 4-sided trim kit.
- \* Brushed stainless steel 3-sided trim.



Minimum Fireplace Opening: 27" (W) x 22.5" (H) x 14" (D)

*NOTE: DVI 750 standing pilot version operates without any electrical supply. Blower and Electronic Ignition System require electricity for operation.*

### SPECIFICATIONS

NATURAL GAS		PROPANE GAS	
Manifold Pressure:(W.C.)	3.5"	Manifold Pressure:(W.C.)	10"
Maximum Supply Pressure	10.5"	Maximum Supply Pressure	13"
Minimum Supply Pressure	4.5"	Minimum Supply Pressure	11"

SPECIFICATIONS	DVI 750N,P-(E)	
	NATURAL	PROPANE
Max. Btu/hr Input	28,500	28,000
Min. Btu/hr Input	18,000	21,000
Efficiency (Flue Loss)	up to 72%	up to 72%
Energuid FE rating	60.75% (N) 62.24% (N-E)	61.10% (P) 62.60% (P-E)



Report # 0401GN010S

