

# Outdoor Collection

Woodbridge Gas Fireplaces



## FIRE TABLE

Outdoor Gas Fireplace

FIRE TABLE

The Fire Table will extend your outdoor entertaining season by creating warmth and a functional seating area.

# Outdoor Collection

## Woodbridge Gas Fireplaces



# FIRE TABLE

### Standard Features:

- \* Natural Gas (60,000 Btu/h) or Propane (54,000 Btu/h) models
- \* Heavy duty vinyl cover protects from outdoor elements
- \* Various glass and stone media options for the burner area (see above)
- \* Stainless steel 1/2" x48" flex connector and gas shut-off valve
- \* Safety pilot system
- \* Limited Lifetime Warranty on 304 stainless steel burner

### Topping media options:



Glass  
Clear

Glass  
Green/Blue

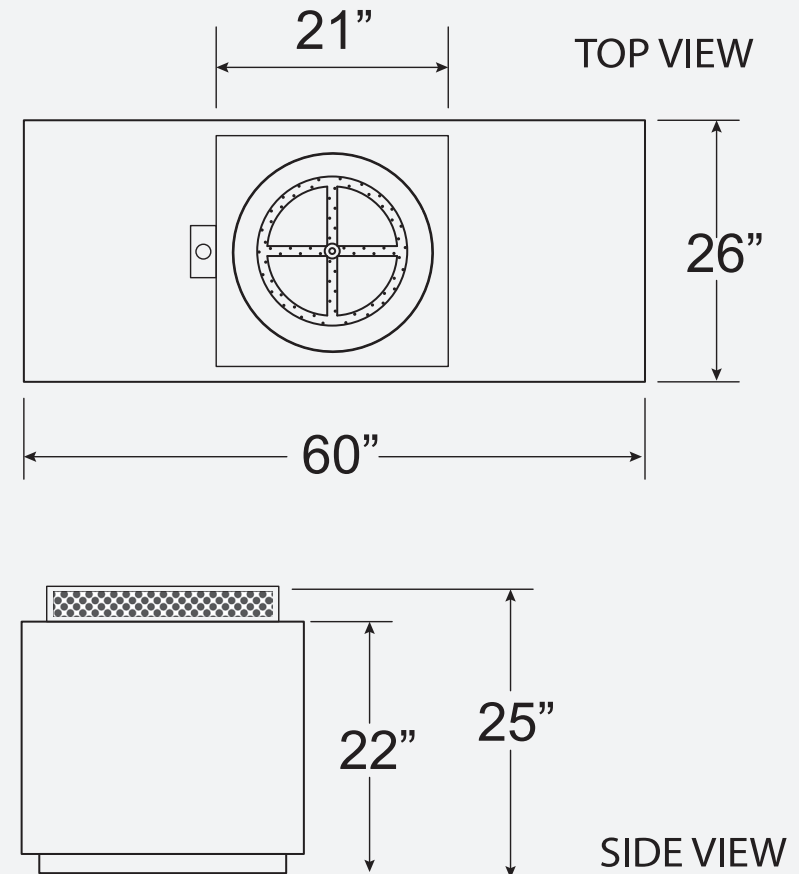
Glass  
Amber



Glass  
Black

Basalt  
Stones

Glass  
Dark Green



Report # 401-O-04-5

Please refer to Owner's Manual  
for installation instructions



Printed in Canada