

Outdoor Collection

Woodbridge Gas Fireplaces



SV-36, SV-48, SV-60, SV-72



Model SV-60 shown

The SV Indoor/Outdoor gas fireplaces serve as a dancing flame window between your interior and exterior living spaces. No venting is required.

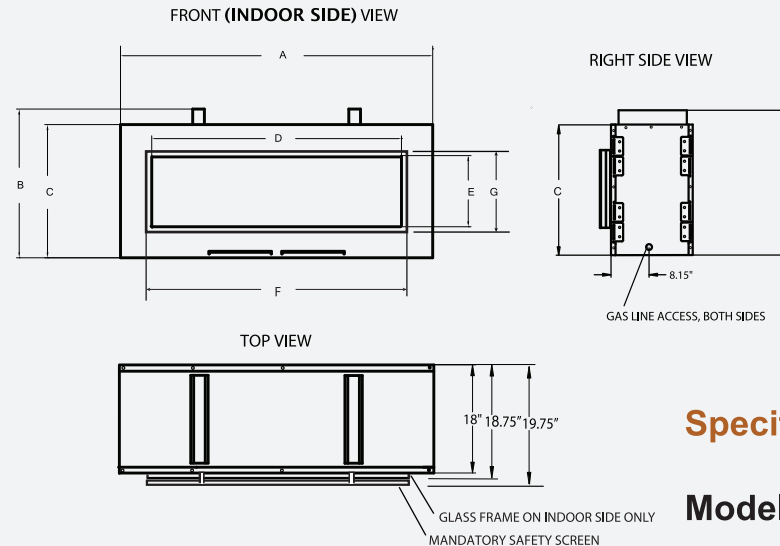
Outdoor Collection

Woodbridge Gas Fireplaces

SV-36, SV-48, SV-60, SV-72

Standard Features

- * Can be framed in wooden structure and finished with non-combustible facing materials.
- * Ceramic glass panel with safety screen (Indoor side).
- * Ceramic glass wind baffle (Outdoor side).
- * High grade 304 stainless steel construction.
- * Dynamic flame reflection from glass ember bed and brushed stainless steel chamber.
- * Electronic ignition system.
- * On/Off remote control with timer or wall switch.
- * Limited Lifetime Warranty on burner and firebox.

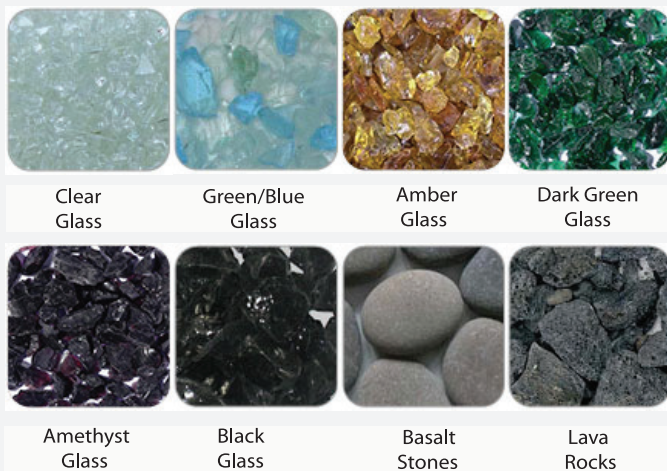


Specifications

Model:	SV-36	SV-48
Gas Input Rate NG, Btu/h	40,000	60,000
LP, Btu/h	38,000	56,000

Model:	SV-60	SV-72
Gas Input Rate NG, Btu/h	75,000	90,000
LP, Btu/h	75,000	90,000

Media options:



	SV-36	SV-48	SV-60	SV-72
A	48"	60"	72"	84"
B	33.75"	29.75"	31.75"	31.75"
C	29.75"	25.75"	25.75"	25.75"
D	36"	48"	60"	72"
E	17.31"	13.75"	13.75"	13.75"
F	38.38"	50.38"	62.38"	74.38"
G	19.56"	16"	16"	16"

Tested to ASTM standards:
 "Air Leakage" (E283),
 "Water Penetration" (E331),
 "Structural Performance" (E330).

Please refer to Owners Manual for installation instructions



Report # 0401GF006S