

# Contemporary Collection

Woodbridge Gas Fireplaces



CATALINA PIER



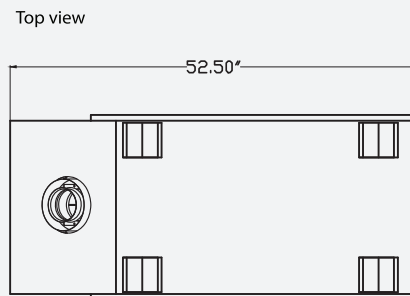
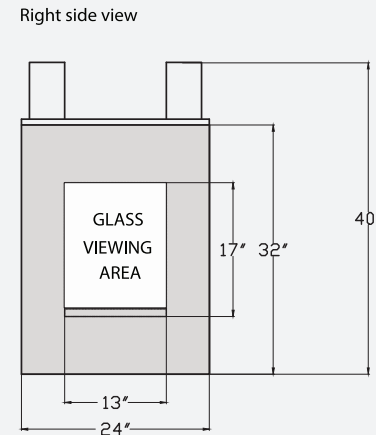
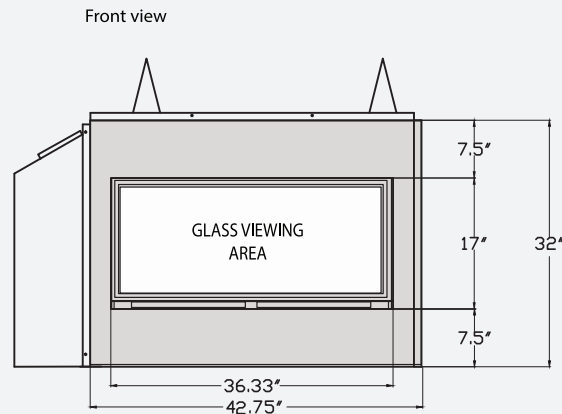
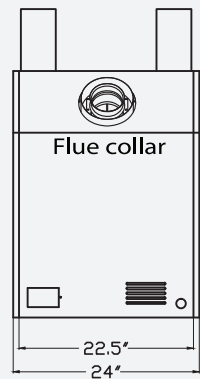


# Contemporary Collection

## Woodbridge Gas Fireplaces



# CATALINA PIER



### STANDARD FEATURES

- Durable ceramic glass viewing area with safety screen.
- Clean face can be covered with non-combustible materials.
- Electronic ignition with battery back-up.
- LCD remote control with thermostat and flame height control.
- 140 C.F.M. , variable speed, thermostatic circulating fan.

### AVAILABLE OPTIONS

- Standing pilot system with battery powered ignition.
- ON/OFF remote control with built-in timer.
- 304 Brushed Stainless steel face
- Various glass and stones for media tray
- Realistic hand-detailed driftwood set



### INPUT RATES, EFFICIENCY

CATALINA-PIER-N: 27,000-39,000 Btu/h  
 CATALINA-PIER-P: 27,000-38,000 Btu/h  
 Efficiency (Flue loss) ..... up to 78%  
 EnerGuide FE Rating ..... 69.2% (NG), 70.1% (LP)

