



## VENT-FREE GAS FIREPLACES



UV36

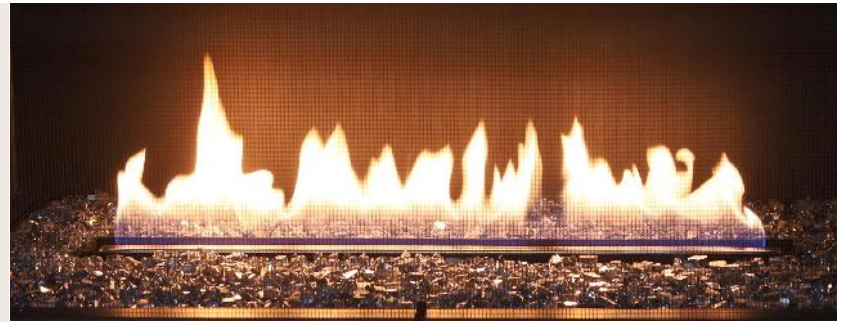
Easy vent-free  
installation for any  
home



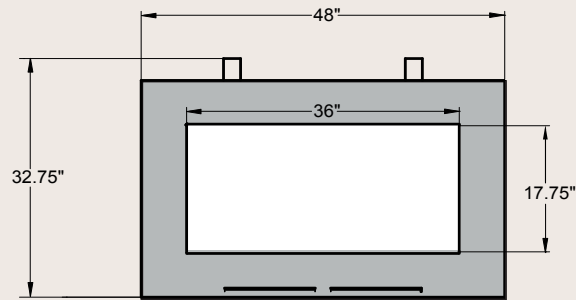
## FEATURES

- \* 36" wide viewable opening with clean face design
- \* Choice of fire glass media or dark grey river stones
- \* Electronic Ignition, Media tray, Safety screen
- \* LCD remote control with thermostat and flame height control

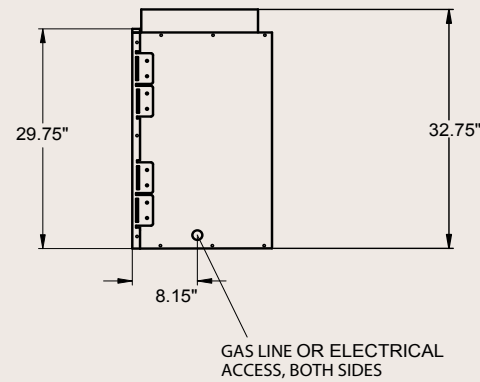




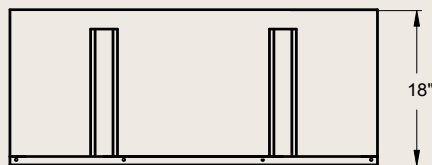
FRONT VIEW



RIGHT SIDE VIEW



TOP VIEW



### STANDARD FEATURES

- Clean face can be covered with non-combustible materials.
- Satin black interior, Stainless steel burner.
- Safety screen.
- Electronic ignition with battery back-up.
- LCD remote control with thermostat and flame height control.

### OPTION

- Brushed Stainless Steel interior firebox & face.

### AVAILABLE MEDIA FOR THE TRAY

- Clear Glass
- Black Glass
- Amber Glass
- Aquamarine Glass
- Grey Reflective Glass (*shown above*)
- Dark Grey River Stones

### INPUT RATES, EFFICIENCY

UV36N: 23,000-35,000 Btu/h (Nat. Gas)

UV36P: 24,000-36,000 Btu/h (Propane)

Efficiency ..... over 95%



UV48

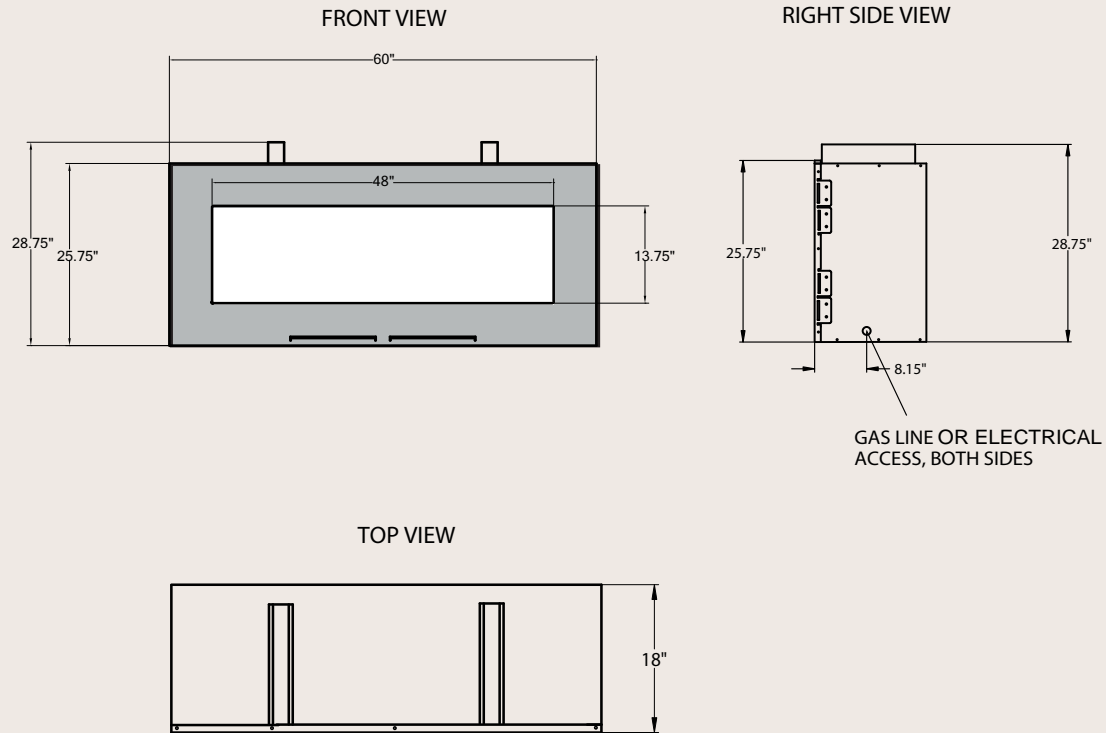
A modern fireplace  
with a conventional air



## FEATURES

- \* 48" wide viewable opening with clean face design
- \* Choice of fire glass media or dark grey river stones
- \* Electronic Ignition, Media tray, Safety screen
- \* LCD remote control with thermostat and flame height control





### STANDARD FEATURES

- Clean face can be covered with non-combustible materials.
- Satin black interior, Stainless steel burner.
- Safety screen.
- Electronic ignition with battery back-up.
- LCD remote control with thermostat and flame height control.

### OPTION

- Brushed Stainless Steel interior firebox & face.

### AVAILABLE MEDIA FOR THE TRAY

- Clear Glass
- Black Glass
- Amber Glass
- Aquamarine Glass
- Grey Reflective Glass
- Dark Grey River Stones (*shown above*)

### INPUT RATES, EFFICIENCY

UV48N: 23,000-36,000 Btu/h (Nat. Gas)

UV48P: 25,000-36,000 Btu/h (Propane)

Efficiency ..... over 95%



UV48-ST

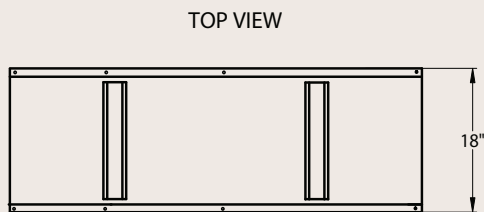
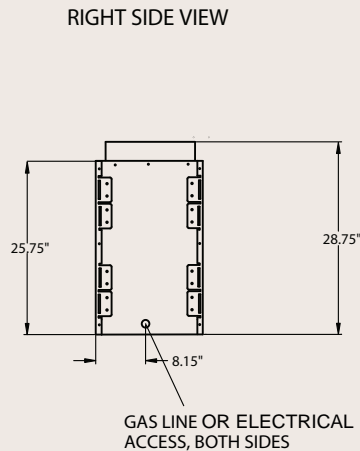
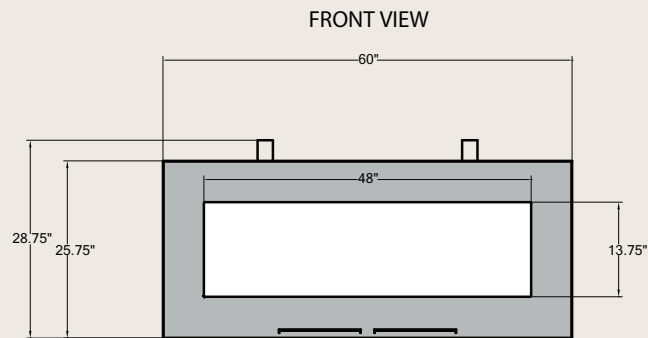
An elegant transition  
between living areas



## FEATURES

- \* 48" wide viewable see-thru opening with clean face design
- \* Choice of fire glass media or dark grey river stones
- \* Electronic Ignition, Media tray, Safety screen
- \* LCD remote control with thermostat and flame height control





### STANDARD FEATURES

- Clean face can be covered with non-combustible materials.
- Satin black interior, Stainless steel burner.
- Safety screens (both sides).
- Electronic ignition with battery back-up.
- LCD remote control with thermostat and flame height control.

### OPTION

- Brushed Stainless Steel interior firebox & face.

### AVAILABLE MEDIA FOR THE TRAY

- Clear Glass
- Black Glass
- Amber Glass
- Aquamarine Glass
- Grey Reflective Glass
- Dark Grey River Stones (*shown above*)

### INPUT RATES, EFFICIENCY

UV48N-ST: 23,000-36,000 Btu/h (Nat. Gas)

UV48P-ST: 25,000-36,000 Btu/h (Propane)

Efficiency ..... over 95%

## QUALITY HEATING & LEISURE PRODUCTS

[www.woodbridgedealer.com](http://www.woodbridgedealer.com)

Elegance, efficiency, and functionality of contemporary gas fireplaces make them perfect addition to the ultimate urban living environment. Woodbridge Fireplace offers a line of vent-free (unvented) gas fireplaces. Please check your local codes, because vent free fireplaces are prohibited in certain geographic areas. Canada, California, Minesota and New York City prohibit vent-free fireplaces. They are also prohibited for use in bedrooms and bathrooms.

Our vent-free fireplaces are tested by OMNI-Test Laboratories (U.S.A.) to the ANSI Z21.11.2-2019 standard for "Gas-Fired Room Heaters, Unvented Room Heaters" and are equipped with mandatory safety screens. Available for Natural gas or Propane with plenty of colorful options for the media tray.



Proudly made in North America

Woodbridge Fireplace Inc.  
1305 Meyerside Dr., Mississauga,  
ONTARIO, CANADA L5T 1C9  
Tel: 1-844-636-FIRE (3473)