



# Introducing the versatile DV1400 fireplace



- Ceramic (18,000 Btu/h) or Tempered (14,000 Btu/h) Glass
- Reflective rear enamelled panel
- Optional 5 pc. Log Set
- Glowing embers or glass media



Electronic Ignition or Millivolt System and optional 130 C.F.M. blower

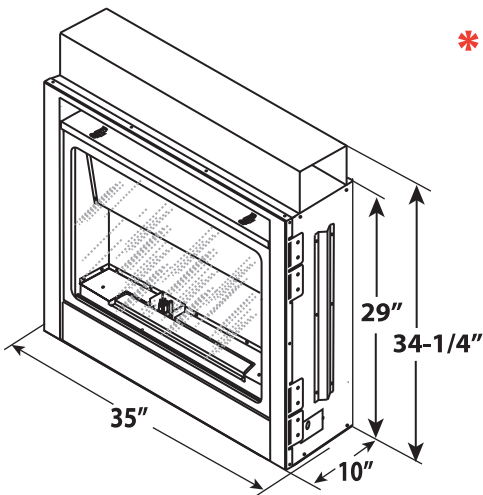


35" x 30.75" Finishing trim with built-in safety screen



Rear vent compatible with DirectVent Pro rigid venting or 3" flex liners (with GCL adapter)

Only 10" deep



## \* Ideal for condos and smaller rooms \* Versatile installation options

- \* Alternate approved venting (Selkirk, Metal-Fab)
- \* Reline existing masonry chimney (2 x 3" liners)
- \* Rear vent through the wall
- \* Rigid pipe up to 50' vertical
- \* Rigid pipe up to 20' horizontal

Proudly made in North America!